

# SONY VPL-GTZ270

## 4K SXRD® 5000lm Laser Light Source Projector

Sony combines the best of its projection technologies, 4K SXRD imager and Z-Phosphor™ laser light source, to create a projector with native 4K resolution, an extremely high contrast ratio, high dynamic range and wide color space – ideal for visual entertainment applications including planetariums, theme parks, and museums.

### Key Features/Benefits

#### Great Image Quality

- Native 4K resolution
- Super high contrast ratio
- Reality Creation 4K upscaling
- HDR compatible
- Wide color space BT.2020 emulated
- Fine multi-projection blending

#### Virtually Zero Maintenance

- Long-life optics up to 40,000h\*1
- Sealed optics for dust-resistance
- Auto calibration
- Constant brightness mode

#### Advanced Usability

- Complete tilt-angle free
- One-way air flow and liquid cooling system with low noise operation
- Quick start enhances operation

Model		VPL-GTZ270
Display System		4K SXRD panel, projection system
Display device	Size of effective display area	0.74" x 3
	Number of pixels	26,542,080 (4096 x 2160 x 3) pixels
Projection lens*2	Focus	Powered
	Zoom	Powered
Light Source		Laser diode
Light output		5,000 lm
Color light output		5,000 lm
Contrast ratio	Dynamic	Up to 30,000:1*1
	Native	Up to 20,000:1*1
Accepted digital signals*3		VGA, SVGA, XGA, WXGA (1280x768), Quad-VGA, SXGA, 720x480/60p, 720x576/50p, 1280x720/50p, 1280x720/60p, 1920x1080/50i*4, 1920x1080/60i*4, 1920x1080/24p, 1920x1080/50p, 1920x1080/60p, 3840x2160/24p, 3840x2160/25p*4, 3840x2160/30p*4, 3840x2160/50p, 3840x2160/60p, 4096x2160/24p, 4096x2160/25p*4, 4096x2160/30p*4, 4096x2160/50p, 4096x2160/60p
Color bit depth		Up to 12 bit via HDMI / Up to 10 bit via Display Port
INPUT OUTPUT (Computer/Video/ Control)	HDMI	2 inputs (HDCP 2.2 x 2), Digital (RGB/Y Pb/Cb Pr/Cr)
	Display Port	2 inputs (HDCP 1.3 x 1, HDCP 1.3 for V Split x 1), Digital (RGB)
	TRIGGER	2 connectors, Mini jack, DC 12V Max.100 mA
	REMOTE	RS-232C, D-sub 9-pin (female)
	LAN	RJ45, 10BASE-T/100BASE-TX
	IR IN / OUT	IN:1, Out:1, Mini jack
	SYNC	IN:1, Out:1
USB	Type A	
OSD languages		18-languages (English, Dutch, French, Italian, German, Spanish, Portuguese, Turkish, Russian, Swedish, Norwegian, Japanese, Simplified Chinese, Traditional Chinese, Korean, Thai, Arabic, Polish)
Acoustic noise		30 dB ~ 35 dB*1
Operating temperature / Operating humidity		41°F to +104°F (5°C to 40°C)/20% to 80% (no condensation)
Storage temperature / Storage humidity		14°F to +140°F (-10°C to +60°C)/20% to 80% (no condensation)
Power requirements		AC 220 V to 240 V, 6 A, 50/60 Hz (For Europe and China) AC 100 V to 240 V, 12 A to 6 A, 50/60 Hz (For the other countries)
Power consumption		MAX. 1.2 kW
Power consumption (Standby Mode)		0.4 W (When "Remote Start" is set to "Off")
Power consumption (Networked Standby Mode)		0.6 W (LAN) (When "Remote Start" is set to "On")
Heat dissipation		4092 BTU/h
Dimensions (W x H x D)		21 21/32 x 8 31/32 x 29 17/32 in (550 x 228 x 750 mm) (without protrusions) 21 21/32 x 10 5/16 x 29 17/32 in (550 x 262 x 750 mm)
Weight		Approx. 88 lb / 40 kg (excluding lens)
Supplied accessories		RM-PI29 Remote Commander (1), Size AA (R6) Manganese Batteries (2), AC Power Cord (1), Operating Instructions (CD-ROM) (1)

\*1 This value is approximate. Depends on the projector setting condition and usage environment

\*2 The lenses are optional accessories

\*3 60p,30p,24p include 59.94/60Hz, 29.97Hz/30Hz, 23.98Hz/24Hz

\*4 Available via HDMI input



## OPTIONAL LENSES

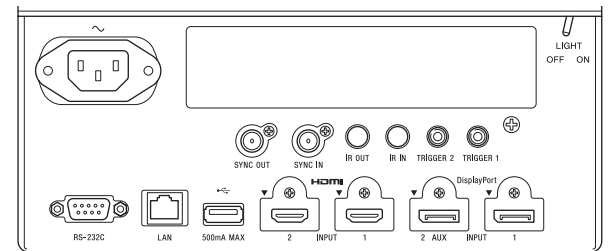
Projection lens	VPLL-Z7008	VPLL-Z7013
		
Throw ratio	0.80:1 to 1.02:1	1.27:1 to 2.73:1
Zoom / Focus	Powered/Powered	Powered/Powered
Lens shift	Powered, Vertical: +/- 50 %, Horizontal: +/- 18 %	Powered, Vertical: +/- 80 %, Horizontal: +/- 31 %
Aperture	f/2.9	f/2.9 to 3.9
Screen size*	60" to 1000"	60" to 300"
Dimensions	Wide W 5 9/32 x H 5 9/32 x D 12 5/32 in (W 134 x H 134 x D 309 mm) Tele W 5 9/32 x H 5 9/32 x D 11 5/32 in (W 134 x H 134 x D 283 mm)	W 5 5/32 x H 5 5/32 x D 9 29/32 in (W 131 mm x H 131 mm x D 252 mm)
Weight	8.2 lb / 3.7 kg	5.7 lb / 2.6 kg

## OPTIONAL ACCESSORIES



**TDG-BT500A**  
3D Glasses

## CONNECTOR PANELS



LASER NOTICES  
For the U.S.A. and Canada  
IEC 60825-1:2007



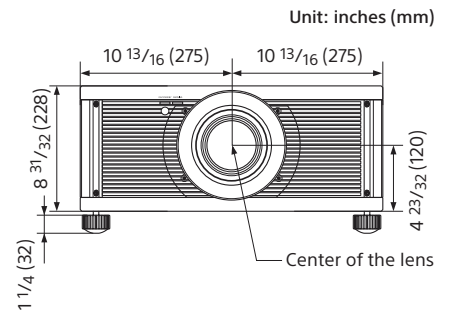
For other countries  
IEC 60825-1:2014

CLASS 1 LASER PRODUCT  
RISK GROUP 2 to IEC 62471:2006  
Caution: Possibly hazardous optical radiation emitted from this product.

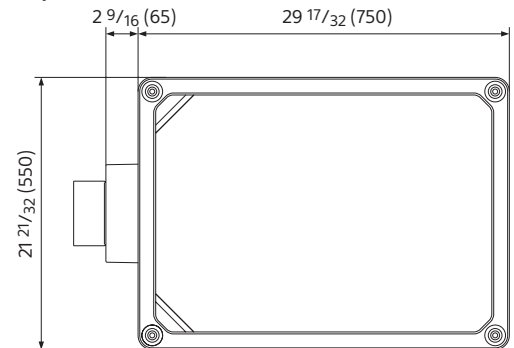


## DIMENSIONS

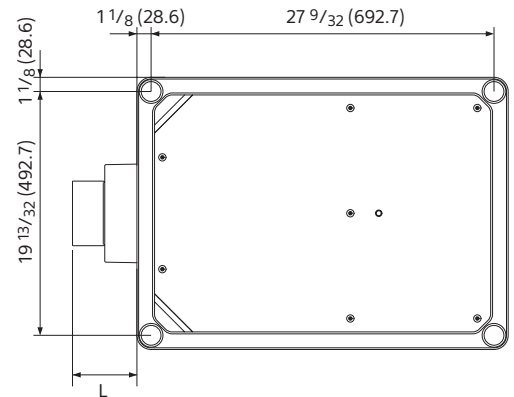
Front



Top



Bottom



The distance L is between the front of the lens (center) and the front of the cabinet.

Unit: inches (mm)

Lens	L
VPLL-Z7008	Wide 7 9/32 (185.2) / Tele 6 1/4 (159.0)
VPLL-Z7013	5 1/8 (130.2)

©2016 Sony Corporation. All rights reserved.  
Reproduction in whole or in part without written permission is prohibited.  
Features and specifications are subject to change without notice.  
The values for weight and dimension are approximate.  
"SONY", "SXRD", "Z-Phosphor", "TRILUMINOS" and "Remote Commander" are trademarks of Sony Corporation.  
The terms HDMI and HDMI High-Definition Multimedia Interface, and the HDMI Logo are trademarks or registered trademarks of HDMI Licensing LLC in the United States and other countries.  
All other trademarks are the property of their respective owners.

Sony Electronics Inc.  
1 Sony Drive  
Park Ridge, NJ 07656  
sony.com/4kprojectors

DI-0328 (MK20051V2)

Issued in USA (2/16)