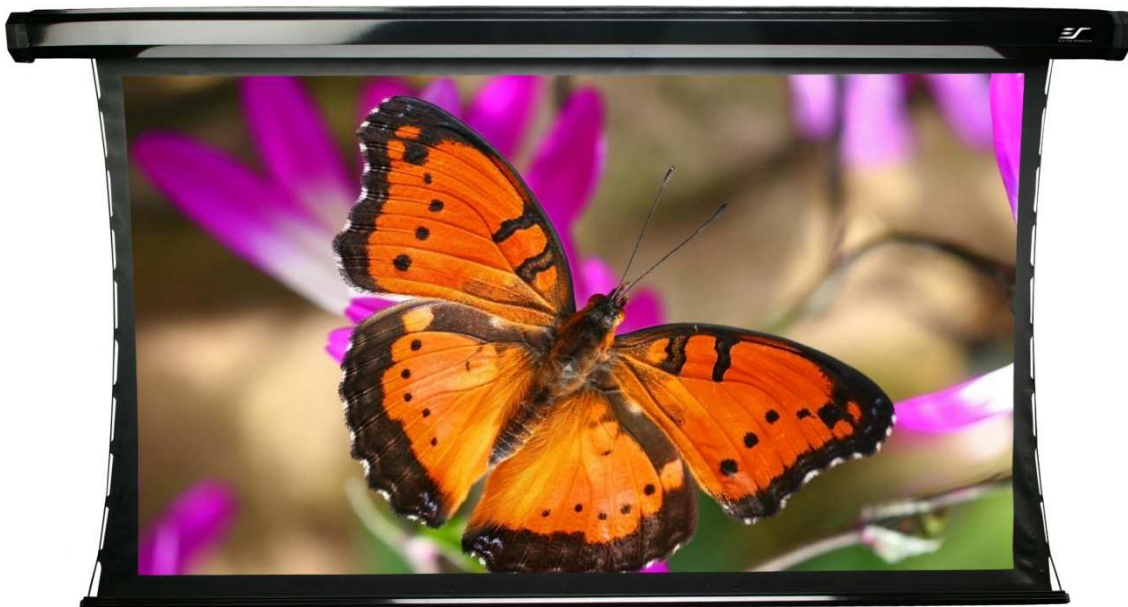




Tab-tensioned Electric Motorized Projection Screen
CineTension 2 Series

User's Guide



Important Safety & Warning Precautions

Make sure to read this user's guide and follow the procedure below.

- Please retain this user's guide for future reference.
- To avoid damaging the unit, do not use with any unauthorized accessories not recommended by the manufacturer.
- Handle the unit carefully during transportation to avoid any damages.
- To ensure safe and reliable operation, direct connection to a properly grounded power source is advised.
- The power outlet supplying power to the unit should be close to the unit and easily accessible.
- Do not install the unit on uneven or inclined surfaces.
- Do not place any heavy objects over the power cord.
- Position the power cord properly to avoid creating a trip obstacle.
- To avoid an electrical shock or fire, due to a loose contact or short circuit, do not overload the power cord.
- The internal & external parts of this unit are not end user serviceable. Do not attempt to disassemble this unit by yourself. No one except authorized technicians can open and make repairs to this unit.
- Make sure the power source that this unit is connected to has a continuous power flow.
- If there is need to use an extension cord, make sure the cord has an equal rating as the appliance to avoid over heat.
- Do not handle the power plug when your hands are wet or your feet are in contact with water.

Do not use this unit under the following circumstances.

- Disconnect the power cord under the conditions of heavy rain, wind thunder or lightning.
- Avoid direct sun light, rain shower and moisture.
- Keep away from fire sources and high temperature to prevent this device from overheating.
- Cut off the power supply first before transportation or maintenance.
- To avoid possible injury and/or an electric shock, do not attempt to use this screen if there is obvious damage or if there are any evident broken parts.

Installation Warning

Due to various installation environments, the instructions provided in this user's guide are for reference only. Please consult a professional installation company for further installation and safety advice. The installer must insure that proper mounting hardware is used to provide adequate strength suitable for the installation. Elite Screens is not liable for any faulty installations. For limit adjustment instructions, please contact our Technical Support Department at (877) 511-1211 Ext. 604.

The Screen's **Top Black Drop** is already set to its maximum drop distance. There is **NO** extra top black drop in the roller. Please be aware of this as it will void the limitation of your warranty.

Individual modifications to this product are prohibited and will void the warranty with the manufacturer. Please contact Elite Screens Customer Service for any questions.

NOTE:

This equipment has been tested and found to comply with the limits for a Class B digital device, pursuant to Part 15 of the FCC Rules.

These limits are designed to provide reasonable protection against harmful interference in a residential installation. This equipment generates and can radiate radio frequency energy and, if not installed and used in accordance with the instructions, may cause harmful interference to radio communications.

However, there is no guarantee that the interference will not occur on a particular installation. If this equipment causes harmful interference to radio or television reception, which can be determined by turning the equipment off and on, the user is encouraged to try to correct the interference by one or more of the following measures.

- ✓ **Reorient or relocate the receiving antenna of the device which may be causing the interference.**
- ✓ **Increase the separation between the screen and the device's receiver.**
- ✓ **Connect the equipment into a different power outlet other than the device.**

Pre-Installation

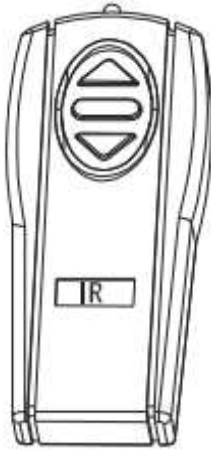
1. Carefully unpack the screen.
2. Always handle the screen in a leveled position on a clean surface.
3. In order to protect the screen from exposure to stains, keep the screen out of contact with foreign particles such as dust, sawdust, and/or liquids.

NOTE

Regardless of the mounting method, the screen should be securely supported so that the vibration or pulling on the viewing surface will not cause the casing to become loose or fall. The installer must insure that the fasteners used are of adequate strength and suitable for the installation location.

Accessories for CineTension 2 Series

Please make sure all accessories listed below are included before proceeding.



A.
IR Remote



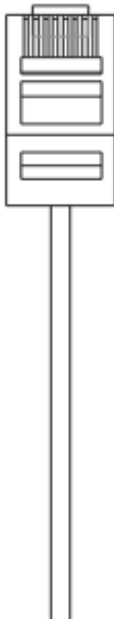
B.
RF Remote



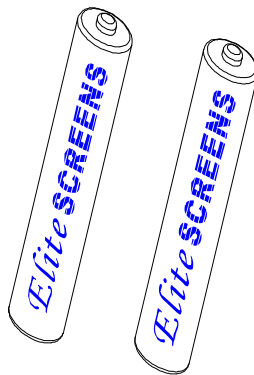
C.
3 Way Wall Switch



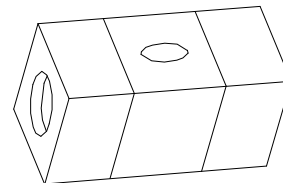
D.
IR Eye Receiver



E.
12V Trigger



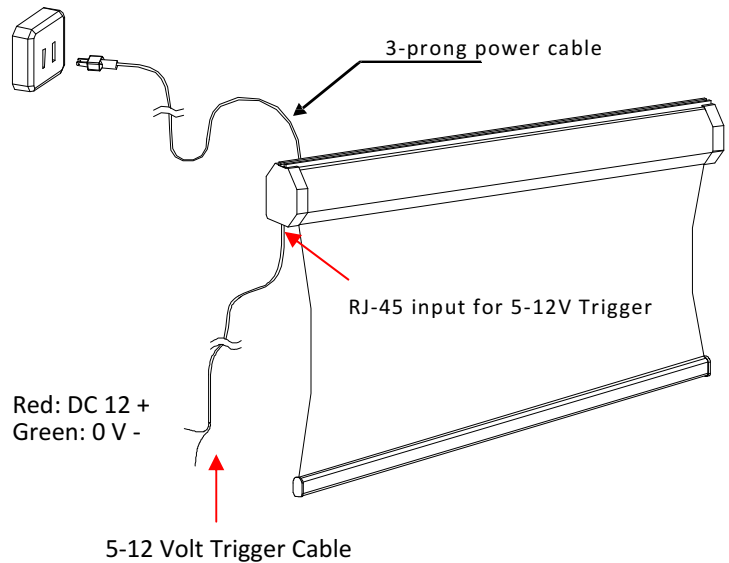
F.
AAA Batteries



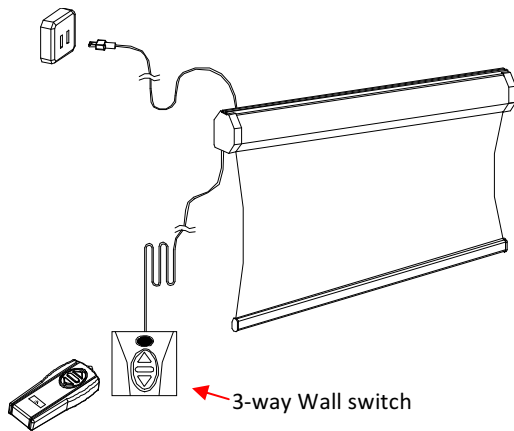
G.
Bubble Level

Control System for CineTension 2 Series

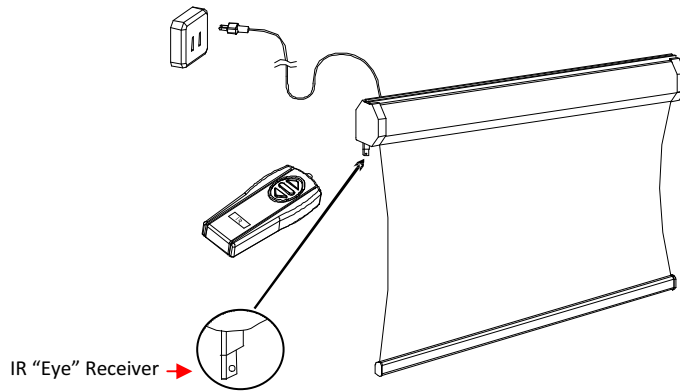
1. 5-12V Trigger: The built-in 5-12V trigger input allows your screen to synchronize its drop & rise with the projector's power cycle. The screen deploys when the projector powers up and will retract when the projector powers down. The 5-12 volt adaptor connects to your projector's trigger output via a separate cable that may or may not be provided by the manufacturer of the projector. The trigger feature will not work without an output cable from the projector, but it can be tested by connecting the Red (+) and Green (-) cable to a 9-volt battery.



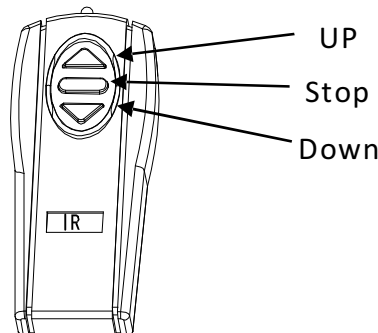
2. 3-Way Wall Switch: The 3-way wall switch is a wall mount control box with an up/stop/down button and plugs directly into the screen's RJ-45 input.



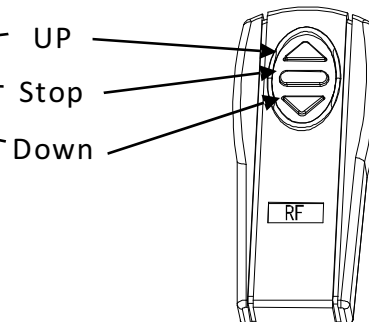
3. IR "Eye" Receiver: The IR "Eye" Receiver plugs directly into the screen's RJ-45 input to present a low profile line-of-sight control option for your IR remote control even in a recessed ceiling installation.



4. IR Remote Control: The Infrared functions by direct line of sight contact with a beam range of 30 feet.

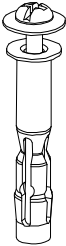


5. RF Remote Control: The radio waves eliminate the need for a direct line of sight with a range of 150 feet.

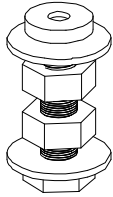


Hardware Parts List for CineTension 2 Series

Please make sure all items listed below are included before proceeding with the installation.



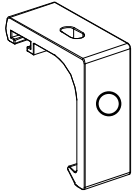
A



B



C



D

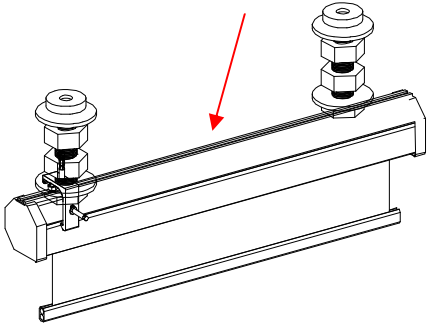
120" & above x 3 brackets

Hardware Parts List	QTY
A. Screw & Dry Wall Anchor	2EA.
B. Bolt	2
C. Masonry Screw & Anchor	2EA.
D. Extruded Hanging Bracket	2 or 3

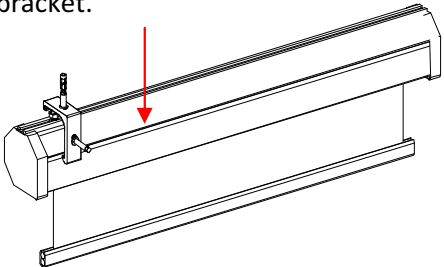
Installation Instructions

Please consult a professional installer. Elite Screens is not liable for any faulty installations.

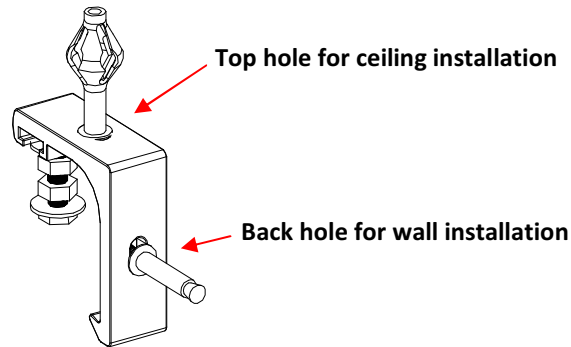
1. Insert each **Bolt (B)** through the right & left slide channel located on the top of the screen's case.



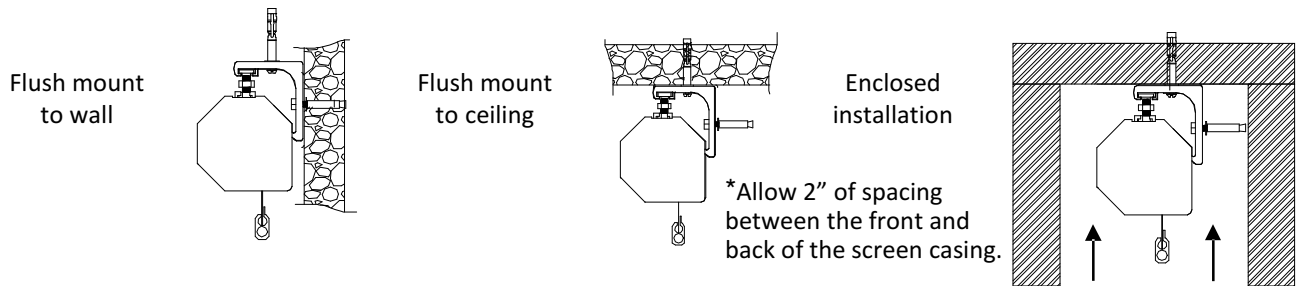
2. Slide the **Extruded Hanging Bracket (D)** through the rail located below the slide channel until it meets with the top of the **Bolt (B)** and slightly secure the lug-nuts located on the top & bottom of the bolt to attach the bracket.



3. Mark the installation location to drill your hole. Insert the proper screw and secure the bolts to the bracket.



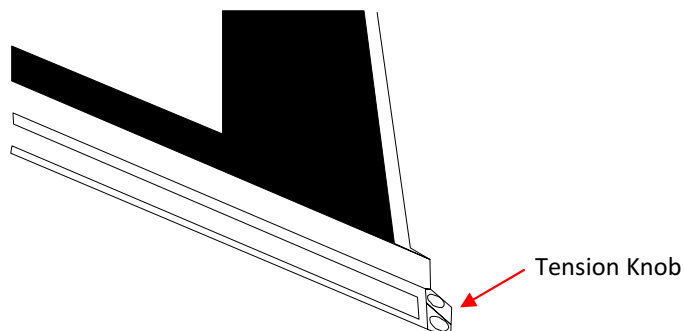
4. Example of the CineTension 2 installed to a wall, ceiling and enclosed.



Adjusting the Tension String

This adjustment is not required. The screen's tension has been set to achieve its best performance. Please contact Elite Screens for assistance to avoid damaging the screen and voiding your warranty.

1. If the tension string is loose, pull and turn the tension knob clockwise to tighten the string. To release the tension, pull and turn the knob counter-clockwise.



Troubleshooting & FAQ'S

For additional information, please contact Elite Screens at techsupport@elitescreens.com

1. If your screen does not move, please check the power supply. The screen will understandably not move without power.
2. Make sure the power cord is firmly plugged to the power outlet.
3. Make sure that all cable connections are secure.
4. If the screen works well with the line switch but not with the remote control, please make sure the remote controls have fresh batteries. Change the batteries every 6 months to ensure proper operation of the remotes.

1. **Q:** Why does my screen no longer function?

A: Make sure your wall plug has power and that the screen is properly plugged. The fuse on the screen will also need to be checked. Please contact techsupport@elitescreens.com for the location. The tubular motor in this screen is equipped with a thermal relay. This feature will automatically shut off the screen in the event of the motor becoming too hot. This will prevent the motor from overheating. If you should experience this, please let the screen's temperature decrease for 10-15 min. before usage.

2. **Q:** How is the screen material cleaned?

A: The screen material can be cleaned with mild soap and water.

3. **Q:** What type of batteries do the remote controls require?

A: The IR and RF remote controls use AAA alkaline batteries.

4. **Q:** Can you manually pull down the screen?

A: No, manually pulling down the screen will damage the electronic motor rolling system and void your warranty.

5. **Q:** How could I setup my Screens IR receiver to work with my learning remote control system Do you have any IR codes I can use to achieve this?

A: Our IR remote controls have been evaluated and entered in to the databases of some Universal remote control manufacturers. Please contact the manufacturer of your remote to inquire about your remotes ability to function with ours. If they have not evaluated our remote control then the following list of Binary codes will be used for most remote setups.

For Spectrum, VMAX2 (Plus), Home2 and **CineTension 2 Series**

Up: 1111 0000 0001

Stop: 1111 0000 0010

Down: 1111 0000 0100

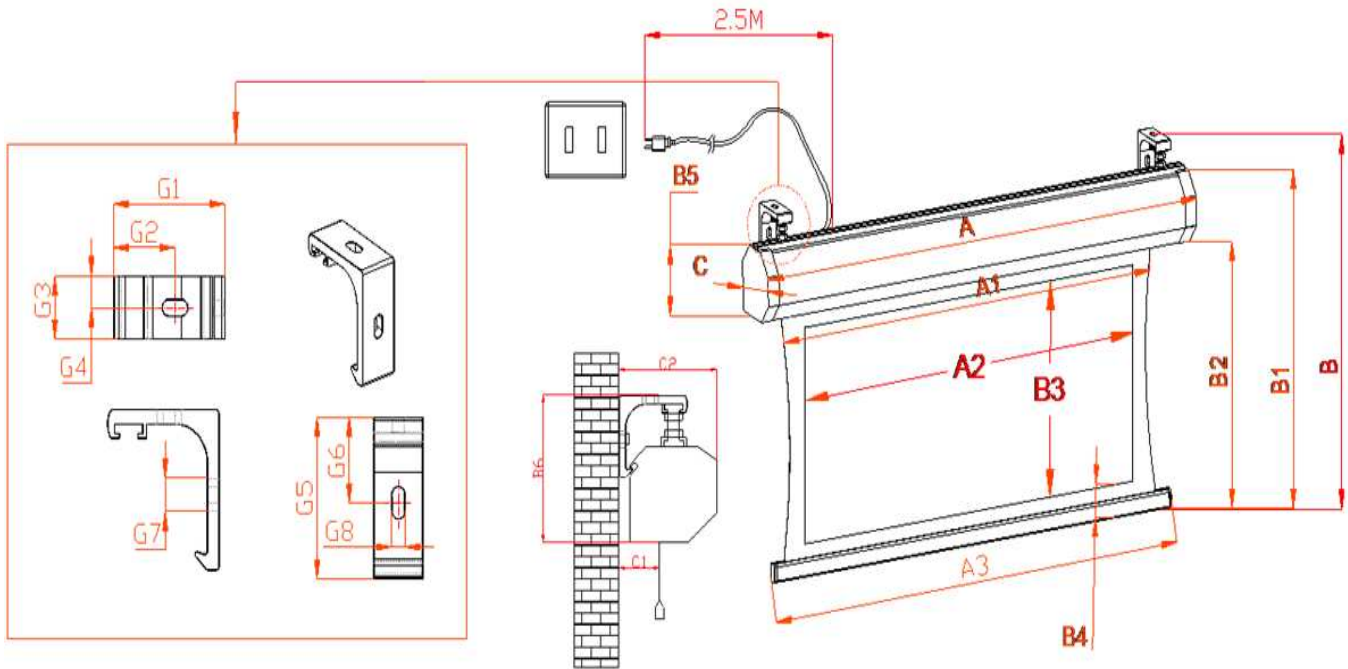
6. **Q:** What is the gain on the matte white screen material?

A: The matte white material has a gain of 1.1. For detailed information, please visit www.elitescreens.com/cinetension2

CineTension 2 Dimension Table

Unit: Inch																							
Model	Case Length (A)	Screen Width (A1)	View Width (A2)	Weight Bar Length (A3)	Bottom Edge (B4)	material to weight bar height (B2)	View Height (B3)	Overall Height (B1)	Height with bracket (B)	Case Height (B5)	(B6)	Case Width (C)	Case End to Screen (C1)	(C2)	G1	G2	G3	G4	G5	G6	G7	G8	N.W (LBS)
TE84H	89.0	80.2	73.2	84.3	3.4	50.4	41.2	54.8	56.3	3.7	4.1	3.8	0.8	5.2	2.8	15	0.9	0.5	2.9	16	0.8	0.4	27.0
TE84H-E30	89.0	80.2	73.2	84.3	3.4	74.6	41.2	79.0	80.5	3.7	4.1	3.8	0.8	5.2	2.8	15	0.9	0.5	2.9	16	0.8	0.4	27.0
TE92H	96.0	87.2	80.2	92.3	3.8	54.9	45.1	60.2	62.2	4.6	6.9	5.0	0.9	5.2	3.4	19	14	0.7	4.1	2.2	0.8	0.4	42.5
TE100H	103.0	94.2	87.2	96.7	3.8	58.6	49.0	64.1	66.1	4.6	6.9	5.0	0.9	5.2	3.4	19	14	0.7	4.1	2.2	0.8	0.4	45.8
TE100H-E24	103.0	94.2	87.2	96.7	3.8	76.8	49.0	82.3	84.3	4.6	6.9	5.0	0.9	5.2	3.4	19	14	0.7	4.1	2.2	0.8	0.4	45.8
TE106H	109.1	99.4	92.4	103.3	3.8	61.6	52.0	67.0	69.0	4.6	6.9	5.0	0.9	5.2	3.4	19	14	0.7	4.1	2.2	0.8	0.4	47.7
TE106H-E24	109.1	99.4	92.4	103.3	3.8	79.7	52.0	85.2	87.1	4.6	6.9	5.0	0.9	5.2	3.4	19	14	0.7	4.1	2.2	0.8	0.4	47.7
TE110H	113.5	102.9	95.9	107.2	3.8	63.5	53.9	68.9	70.9	4.6	6.9	5.0	0.9	5.2	3.4	19	14	0.7	4.1	2.2	0.8	0.4	47.1
TE110H-E24	113.5	102.9	95.9	107.2	3.8	81.7	53.9	87.2	89.2	4.6	6.9	5.0	0.9	5.2	3.4	19	14	0.7	4.1	2.2	0.8	0.4	47.1
TE120H	122.6	111.6	104.6	115.9	3.8	66.5	58.8	71.9	73.9	4.6	6.9	5.0	0.9	5.2	3.4	19	14	0.7	4.1	2.2	0.8	0.4	52.6
TE120H-E20	122.6	111.6	104.6	115.9	3.8	82.6	58.8	88.1	90.1	4.6	6.9	5.0	0.9	5.2	3.4	19	14	0.7	4.1	2.2	0.8	0.4	52.6
TE135H	135.5	124.7	117.7	128.1	3.8	73.8	66.2	79.3	81.2	4.6	6.9	5.0	0.9	5.2	3.4	19	14	0.7	4.1	2.2	0.8	0.4	52.8
TE135H-E12	135.5	124.7	117.7	128.1	3.8	82.6	66.2	88.1	90.1	4.6	6.9	5.0	0.9	5.2	3.4	19	14	0.7	4.1	2.2	0.8	0.4	52.8
TE150H	149.8	137.7	130.7	142.1	3.8	81.2	73.5	86.6	88.6	4.6	6.9	5.0	0.9	5.2	3.4	19	14	0.7	4.1	2.2	0.8	0.4	58.3
TE84V	83.0	74.2	67.2	78.5	3.4	59.6	50.4	64.0	65.6	3.7	4.1	3.8	0.8	5.2	2.8	15	0.9	0.5	2.9	16	0.8	0.4	27.5
TE84V-E30	83.0	74.2	67.2	78.5	3.4	83.8	50.4	88.2	89.8	3.7	4.1	3.8	0.8	5.2	2.8	15	0.9	0.5	2.9	16	0.8	0.4	27.5
TE92V	89.0	80.6	73.6	84.3	3.4	64.6	55.2	69.0	70.6	3.7	4.1	3.8	0.8	5.2	2.8	15	0.9	0.5	2.9	16	0.8	0.4	29.0
TE100V	99.3	87.5	80.0	90.2	3.8	69.6	80.0	74.5	77.0	4.6	6.7	5.0	0.9	5.2	3.4	19	14	0.7	4.1	2.2	0.8	0.4	44.0
TE100V-E12	99.3	87.5	80.0	90.2	3.8	75.8	80.0	80.5	82.5	4.6	6.9	5.0	0.9	5.2	3.4	19	14	0.7	4.1	2.2	0.8	0.4	43.0
TE120V	113.5	103.0	96.0	107.3	3.8	79.6	72.0	85.0	87.0	4.6	6.9	5.0	0.9	5.2	3.4	19	14	0.7	4.1	2.2	0.8	0.4	47.7
TE135V	125.5	115.0	108.0	119.7	3.8	88.6	81.0	94.1	96.0	4.6	6.9	5.0	0.9	5.2	3.4	19	14	0.7	4.1	2.2	0.8	0.4	51.4
TE150V	138.2	127.0	120.0	132.5	3.8	97.6	90.0	103.1	105.0	4.6	6.9	5.0	0.9	5.2	3.4	19	14	0.7	4.1	2.2	0.8	0.4	56.3
TE94X	96.0	86.7	79.7	90.4	3.8	59.4	49.8	64.8	66.8	4.6	6.9	5.0	0.9	5.2	3.4	19	14	0.7	4.1	2.2	0.8	0.4	37.4
TE106X-E24	109.2	97.4	89.9	100.1	3.8	84.0	56.2	88.7	90.7	4.7	6.7	4.8	0.9	5.2	3.4	19	14	0.7	4.1	2.2	0.8	0.4	46.3
TE116X	115.5	105.4	98.4	109.1	3.8	71.1	61.5	76.5	78.5	4.6	7.0	5.0	0.9	5.2	3.4	19	14	0.7	4.1	2.2	0.8	0.4	50.2
TE128X-E12	127.8	116.0	108.5	118.8	3.8	83.6	67.8	88.3	90.3	4.7	6.7	4.8	0.9	5.2	3.4	19	14	0.7	4.1	2.2	0.8	0.4	55.1
TE139X	135.5	124.9	117.9	128.1	3.8	81.1	73.7	85.7	87.7	4.6	6.9	5.0	0.9	5.2	3.4	19	14	0.7	4.1	2.2	0.8	0.4	56.8
TE85C-E30	91.7	85.7	78.2	89.2	3.4	66.7	33.3	71.0	72.6	3.7	4.1	3.8	0.8	5.2	2.8	15	0.9	0.5	2.9	16	0.8	0.4	28.2
TE96C-E24	105.1	95.8	88.3	99.4	3.8	65.4	37.6	70.8	72.8	4.6	6.9	5.0	0.9	5.2	3.4	19	14	0.7	4.1	2.2	0.8	0.4	40.9
TE103C-E24	113.5	102.3	94.8	107.3	3.8	68.1	40.3	73.5	75.5	4.6	6.9	5.0	0.9	5.2	3.4	19	14	0.7	4.1	2.2	0.8	0.4	44.0
TE115C-E24	122.5	113.3	105.8	116.8	3.8	72.8	45.0	78.2	80.2	4.6	6.9	5.0	0.9	5.2	3.4	19	14	0.7	4.1	2.2	0.8	0.4	48.0
TE125C-E20	131.7	122.5	115.0	126.0	3.8	72.7	48.9	78.1	80.1	4.6	6.9	5.0	0.9	5.2	3.4	19	14	0.7	4.1	2.2	0.8	0.4	51.5
TE138C-E16	143.7	134.5	127.0	138.0	3.8	73.8	54.0	79.2	81.2	4.6	6.9	5.0	0.9	5.2	3.4	19	14	0.7	4.1	2.2	0.8	0.4	56.3
TE153C-E12	157.5	148.3	140.8	151.8	3.8	75.7	59.9	81.1	83.1	4.6	6.9	5.0	0.9	5.2	3.4	19	14	0.7	4.1	2.2	0.8	0.4	61.6

*Measurement dimensions are intended as a reference only and subject to change without notice. Note: Data Error may be ±1"



Warranty Policy

- **Two (2) Year** parts and labor warranty from defects in workmanship from purchase date as follows (except for refurbished units as specified below).
- **Three (3) Year** parts and labor warranty from defects in workmanship for **GEMR** (Government, Educational, Military, & Religious) purchases of new product only.
- **Refurbished Units** carry a **90-DAY** parts and labor warranty.
- Each party will be responsible for one way shipping during the warranty period.
- A **RMA (Return Merchandise Authorization) number** must be issued in order to process a replacement or to authorize a return for warranty repair. Elite Screens will, at its sole option replace or repair the defective unit with a replacement *(see exceptions below) after the defective unit or parts have been received. Once the product is received, Elite Screens will send out a replacement *unit to the customer by ground service (subject to inventory availability).
- **Do Not Return Any Unauthorized Items to Elite Screens, as they will be refused and returned at your expense. The RMA Number must be included on the outside label of your shipping box. Our warehouse is not authorized to accept returns without an RMA number on the shipping label.**
- **RMA Numbers are valid for 45 days from the date issued.**
- **Missing Parts** must be reported within 7 days of receipt. If reported after 7 days, the customer will be responsible for shipping and handling fees. If reported after 30 days of receipt, the customer will be responsible for cost of parts and shipping & handling fees.

*A New or refurbished replacement will be send out to the customer depending on the type of purchase (new or refurbished) and based on stock availability.

North America only U.S. and Canada

For Warranty and Service requests, please submit an RMA/Service Form at:
www.elitescreens.com/warrantysupportform

Please visit this link for full Warranty information:
www.elitescreens.com/warranty

For Customer Service and Technical questions, please contact Elite Screens at:
Telephone: (877) 511-1211 service@elitescreens.com
Fax: (562) 926-8433 techsupport@elitescreens.com

REMEMBER TO REGISTER YOUR PRODUCT AT:

WWW.ELITESCREENS.COM

Contact Information

US & Canada Tech Support & Warranty Claim

Please contact us at service@elitescreens.com or call +1 877-511-1211 #3 or fax +1-562-926-8433

Europe Tech Support & Warranty Claim

Please contact us at service@elitescreens.eu or call +49-(0) 40-30392958

Asia Tech Support & Warranty Claim

Please contact us at service@elitescreens.com.cn or call +86-(0) 755-8461-7989

Taiwan Tech Support & Warranty Claim

Please contact us at service@elitescreens.com.tw or call +866+2+8990-1999

America:

Elite Screens Inc

16410 Manning Way
Cerritos, CA 90703 USA
Tel: +1-877-511-1211
Fax: +1-562-926-8433
info@elitescreens.com
www.elitescreens.com

Europe:

Elite Screens Europe

Lübecker Straße 1
22087 Hamburg, Germany
Tel: +49-4030392494
Fax: +49-40-49219200
info@elitescreens.eu
www.elitescreens.eu

Asia:

Elite Screens China Corp.

Longxi Duimianling Industry Zone
Longcheng Longgang District,
ShenZhen Guangdong, China
Tel: +86-(0)755-8461-7989
Fax: +86-(0)755-8461-7669
info@elitescreens.com.cn
www.elitescreens.com.cn

Elite Screens France S.A.S

11, Allée William Penn
92150 Suresnes, France
Tel: +33-1-45064735
Fax: +33-1-45064735
info.fr@elitescreens.com
www.elitescreens.com/fr

Taiwan:

Elite Screens Taiwan Corp.

4F., No. 42-1 Wuguan Rd. Wugu Township Taipei
County 248, Taiwan (Wugu Industrial Park)
Taiwan (R.O.C)
Tel: +886+2+8990-1999
Fax: +886+2+8990+1366
info@elitescreens.com.tw
www.elitescreens.com.tw

Japan:

Elite Screens Japan Corp.

467-2-606 Tsuruma, Machida-shi,
Tokyo, 194-0004 Japan
Tel: 0120-07-0008
Fax: +81(0)42-706-9130
info@elitescreens.jp
www.elitescreens.jp

Latin America Contact:

Info.la@elitescreens.com

East Asia Contact:

Info.ea@elitescreens.com

India Contact:

Info.india@elitescreens.com