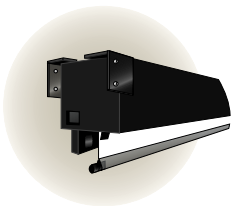


Envoy

Electrically Operated Screen with Ceiling Closure

Designed for conference, training and meeting rooms



Indiana University School of Law—Indianapolis

The ENVOY adds a touch of class to any presentation. The screen is recessed in the ceiling and invisible when not in use. At the touch of a switch an automatic ceiling closure opens, and the screen appears. The ceiling closure can easily be finished to match the ceiling.

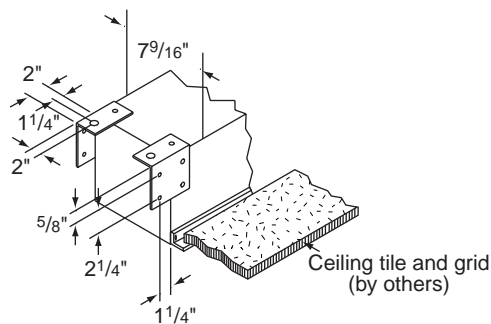
The ENVOY operates smoothly and silently. The motor is mounted inside the roller on special vibration insulators. The screen's slender profile makes it easy to install above most ceilings.

Your choice of a conventional viewing surface: fiberglass matt white, glass beaded or PANAMAX.

System Options

- **Extra Drop**—Up to 12' overall height, either white or black (white is standard for AV format, black for other formats).
- **Black Masking Borders**— Borders are optional for AV format screens and standard for all other format screens.
- **Control Options**—Refer to page 5.

Case Dimensions/Method of Installation



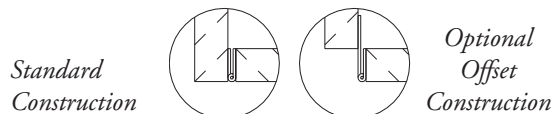
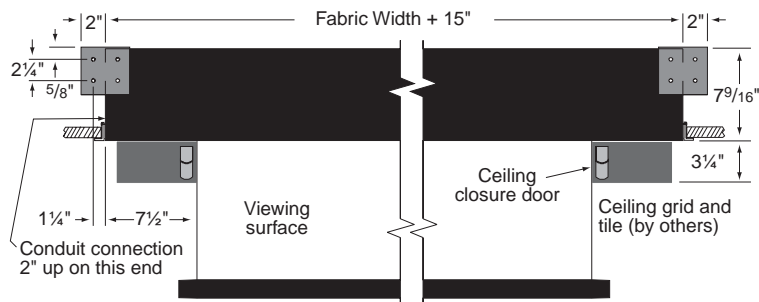
Dimensions & Data—Envoy

Viewing Surface H x W	Case Length	Distance Between Hanger Eyes	Net Wt. (lbs.)	Viewing Surface H x W	Case Length	Distance Between Hanger Eyes	Net Wt. (lbs.)
50" x 50"	5'5"	5'7 1/2"	60	7' x 9'	10'3"	10'5 1/2"	105
60" x 60"	6'3"	6'5 1/2"	70	9' x 9'	10'3"	10'5 1/2"	115
70" x 70"	7'1"	7'3 1/2"	75	8' x 10'	11'3"	11'5 1/2"	115
84" x 84"	8'3"	8'5 1/2"	80	10' x 10'	11'3"	11'5 1/2"	120
6' x 8'	9'3"	9'5 1/2"	85	9' x 12'	13'3"	13'5 1/2"	125
8' x 8'	9'3"	9'5 1/2"	100	12' x 12'	13'3"	13'5 1/2"	130

NTSC Video Format

Nominal Diagonal	Viewing Area	Overall Size	Case Length	Distance Between Hanger Eyes	Net Wt. (lbs.)
6'	42 1/2" x 56 1/2"	46 1/2" x 59 1/2"	6'3"	6'5 1/2"	70
7'	50" x 66 1/2"	53 1/2" x 69 1/2"	7'1"	7'3 1/2"	75
100"	60" x 80"	64" x 83 1/2"	8'3"	8'5 1/2"	80
10'	69" x 92"	73" x 96"	9'3"	9'5 1/2"	85

Case dimensions—7 9/16" high x 7 13/16" wide
Mounting brackets extend 2" in length beyond ends of case.
HDTV and WideScreen format also available.



Specifications—Envoy

Projection screens, size _____ h. x _____ w., electrically operated 110-120V. AC, 60 HZ. 3-wire motor mounted inside screen roller, instantly reversible, lifetime lubricated, with internal thermal overload protector and electric brake. Motor mounted on rubber vibration insulators. Preset, accessible limit switches. Entire roller and drive assembly removal through bottom of case.

Roller to be 3" dia. metal, mounted on rubber insulated supports. Viewing surface of (fiberglass matt white/glass beaded/optional PANAMAX), fire and

mildew resistant. Large screens require one or more horizontal seams. Case of 3/4" warp resistant composition wood, unspliced. Wiring compartment metal lined. Bottom of case fully enclosed by two panels, mounted with full-length continuous hinge. One panel to open and close automatically as screen operates. Second panel opens manually for access to electrical connections, limit switches and screen surface. Hinges mounted to allow matching of bottom panels to ceiling. Case painted with flat black primer.

Three-position control switch, complete with coverplate, shall stop or reverse screen at any point. Entire unit certified by Underwriters' Laboratories, Inc. for the U.S. and Canada (except when furnished with PANAMAX viewing surface).