

# Clarion

Improve your image—with a CLARION projection screen. The CLARION's viewing surface is stretched tightly over a self-concealing aluminum frame, which also forms an attractive border. The CLARION's clean, symmetrical design works perfectly in either a corporate or educational setting.

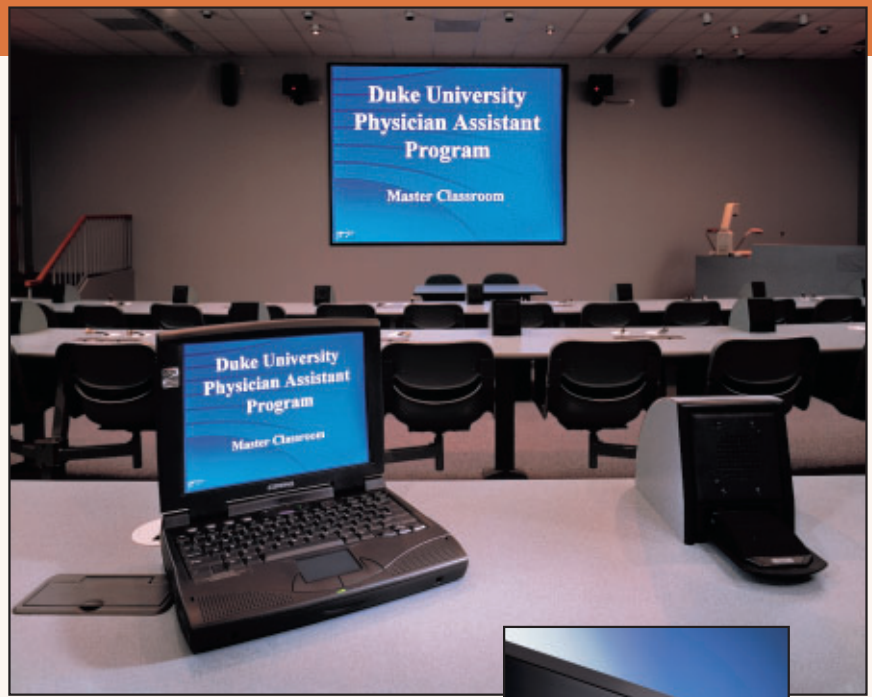
You design the system—choose viewing surface, frame finish, format and size. Custom sizes available.

**Viewing Surfaces**—M1300, M2500, HiDEF GREY, glass beaded, acoustically transparent AT GREY or AT1200 for front projection.

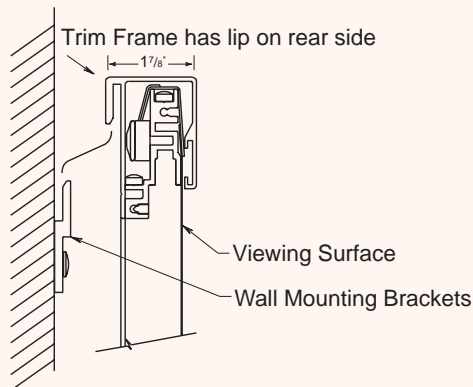
**Custom Sizes**—Any size up to the maximum standard size in the chart below.

**Frame Finishes**—Black acrylic is standard. Also available with black VEL-TEX (a velvety material that eliminates reflection on the frame).

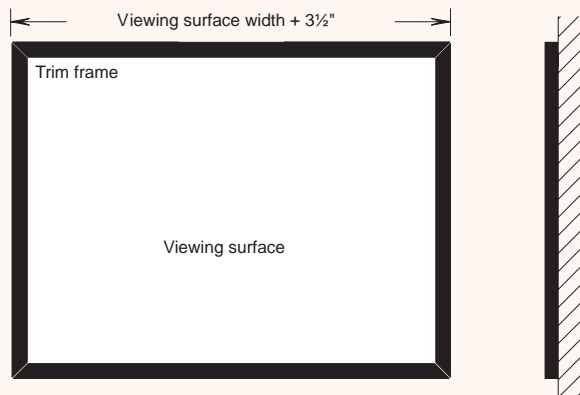
**Mounting**—Permanent wall mount (brackets included).



Clarion Frame Details—Side View



Clarion Frame Details—Front View



## Standard Clarion Sizes

| Nominal Diagonal                | Viewing Area H x W | Overall Size H x W | M1300 | HiDef Grey | M2500 | AT1200 | AT Grey | Glass Beaded |
|---------------------------------|--------------------|--------------------|-------|------------|-------|--------|---------|--------------|
| <b>AV Format</b>                |                    |                    |       |            |       |        |         |              |
| 50"                             | 50" x 50"          | 53½" x 53½"        |       |            |       |        |         |              |
| 60"                             | 60" x 60"          | 63½" x 63½"        |       |            |       |        |         |              |
| 70"                             | 70" x 70"          | 73½" x 73½"        |       |            |       |        |         |              |
| 84"                             | 84" x 84"          | 87½" x 87½"        |       |            |       |        |         |              |
| 96"                             | 96" x 96"          | 99½" x 99½"        |       |            |       |        |         |              |
| 9'                              | 9' x 9'            | 111½" x 111½"      |       |            |       |        |         |              |
| 10'                             | 10' x 10'          | 123½" x 123½"      |       |            |       |        |         |              |
| <b>4:3 NTSC Video Format</b>    |                    |                    |       |            |       |        |         |              |
| 6'                              | 43" x 57"          | 46½" x 60½"        |       |            |       |        |         |              |
| 6½'                             | 47" x 63"          | 50½" x 66½"        |       |            |       |        |         |              |
| 7'                              | 50" x 67"          | 53½" x 70½"        |       |            |       |        |         |              |
| 7½'                             | 54" x 72"          | 57½" x 75½"        |       |            |       |        |         |              |
| 100"                            | 60" x 80"          | 63½" x 83½"        |       |            |       |        |         |              |
| 10'                             | 72" x 96"          | 75½" x 99½"        |       |            |       |        |         |              |
| 150"                            | 90" x 120"         | 93½" x 123½"       |       |            |       |        |         |              |
| 15'                             | 108" x 144"        | 111½" x 147½"      |       |            |       |        |         |              |
| <b>16:9 HDTV Format</b>         |                    |                    |       |            |       |        |         |              |
| 92"                             | 45" x 80"          | 48½" x 83½"        |       |            |       |        |         |              |
| 106"                            | 52" x 92"          | 55½" x 95½"        |       |            |       |        |         |              |
| 119"                            | 58" x 104"         | 61½" x 107½"       |       |            |       |        |         |              |
| 133"                            | 65" x 116"         | 68½" x 119½"       |       |            |       |        |         |              |
| 161"                            | 80" x 140"         | 83½" x 143½"       |       |            |       |        |         |              |
| <b>1.85:1 WideScreen Format</b> |                    |                    |       |            |       |        |         |              |
| 99"                             | 47" x 87"          | 50½" x 90½"        |       |            |       |        |         |              |
| 108"                            | 49¾" x 92"         | 53¼" x 95½"        |       |            |       |        |         |              |
| 120"                            | 56¼" x 104"        | 59¾" x 107½"       |       |            |       |        |         |              |
| 132"                            | 62¾" x 116"        | 66¼" x 119½"       |       |            |       |        |         |              |
| 162"                            | 75¾" x 140"        | 79¼" x 143½"       |       |            |       |        |         |              |