

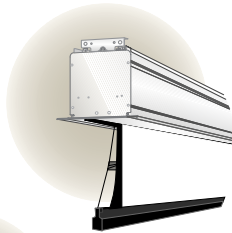
# Access Series



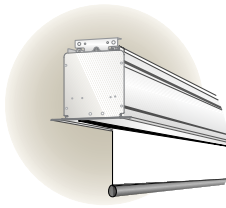
**Eliminates your installation problems.  
Install the case now and the screen later.**

The ACCESS is the most versatile ceiling recessed screen on the market. No other projection screen offers you the benefits of installing the case during construction, and quick connecting the viewing surface at a latter date to eliminate job site damage. See page 6 for details of DRAPER'S ACCESS case.

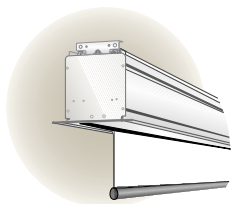
**Access/Series V**—Motorized screen features DRAPER'S TAB TENSIONING SYSTEM for a perfectly flat projection surface. Choose M1300, M2500, HiDEF GREY or CINEFLEX rear projection viewing surface.



**Access/Series E**—Motorized screen in your choice of a conventional viewing surface: fiberglass matt white, glass beaded, PANAMAX or acoustically transparent AT1200.

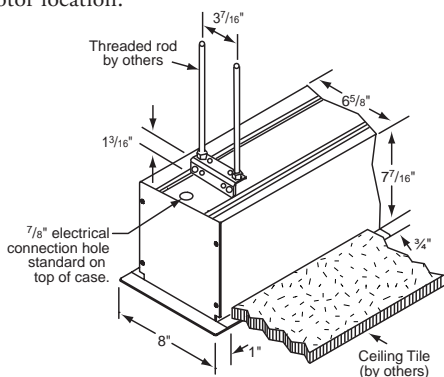


**Access/Series M**—Spring-roller operated screen in your choice of a conventional viewing surface: fiberglass matt white or glass beaded.



## System Options

- **Extra Drop**—Up to 12' overall height, either white or black (white is standard for SERIES V in all formats and for SERIES E and M in AV format; black is standard for SERIES E and M in all other formats). Extra drop will increase the overall length of the case of a SERIES V.
- **Black Masking Borders**—Borders are optional for SERIES E and M in AV format. Borders are standard for SERIES E and M in all other formats and for all SERIES V screens.
- **Control Options**—For motorized controls, refer to page 5. Controls may be built into case and will increase the overall length of the case. For SERIES M, aluminum operating pole is available in place of the factory attached pull cord. Choice of two sizes: 4' and 6'.
- **Screen/Case Options**—You may choose left or right motor location.



Turner Construction, Cincinnati, Ohio. Installation by NOR-COM, Inc.  
U. S. Patent Nos. 6,137,629 and 6,421,175. Other Patents Pending.

## Dimensions & Data—Access Series

AV Format		Series E		Series M		Series V	
HxW	Case Length*	Net Wt.(lbs.)	Case Length	Net Wt.(lbs.)	Case Length*	Net Wt.(lbs.)	
50" x 50"	5'4"	56	4'8"	33	6'3"	58	
60" x 60"	6'2"	64	5'6"	39	7'2"	66	
70" x 70"	7'	67	6'4"	45	8'	69	
84" x 84"	8'2"	72	7'6"	51	9'3¼"	74	
6' x 8'	9'2"	89	8'6"	53	10'2"	92	
8' x 8'	9'2"	90	8'6"	56	10'4¾"	92	
7' x 9'	10'2"	92	9'6"	57	11'3¼"	95	
9' x 9'	10'2"	93	9'6"	65	11'4¾"	95	
8' x 10'	11'2"	97	10'6"	72	12'4¾"	99	
10' x 10'	11'2"	107	10'6"	77	12'6½"	109	
9' x 12'	13'2"	108	12'6"	88	14'4¾"	110	
12' x 12'	13'2"	119	12'6"	104	14'10½"	121	

NTSC Video Format		Series E		Series M		Series V		
Nominal Diagonal	Viewing Area	Case Length*	Net Wt.(lbs.)	Case Length	Net Wt.(lbs.)	Viewing Area	Case Length*	Net Wt.(lbs.)
6'	42½" x 56½"	6'2"	58	5'6"	39	42½" x 56½"	6'9½"	60
7'	50" x 66½"	7'	66	6'4"	43	50" x 66½"	7'7½"	68
8'/100"	60" x 80"	8'2"	71	7'6"	50	60" x 80"	8'9"	73
10'	69" x 92"	9'2"	90	8'6"	53	72" x 96"	10'2"	92
11'	78" x 104"	10'2"	96	9'6"	57	78" x 104"	10'11¼"	98
150"	87" x 116"	11'2"	102	10'6"	72	87" x 116"	11'11¼"	104
15'	105" x 140"	13'2"	108	12'6"	88	108" x 144"	14'4¾"	110

\*Optional built-in controls increase length of case. In SERIES V, extra drop also increases case length. Case lengths shown include flanges to support ceiling tile.

