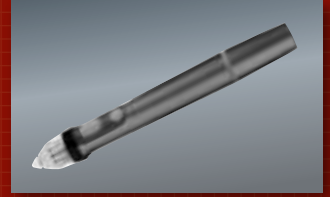




Interactive Short Throw Mounts with eBeam™ Technology



Live up classroom and corporate environments with Chief's Interactive Short Throw Mount with eBeam Technology. Kits include everything you need to get up and running with the latest in interactive technology, including real-time rendering, and access to a comprehensive online resource library.

ARE YOU A CHIEF CERTIFIED PARTNER?
Register at www.chiefmfg.com/certification.

www.chiefmfg.com



INTERACTIVE SHORT THROW MOUNTS

WITH eBEAM™ TECHNOLOGY

INTERACTIVE dynamic ENGAGING

Chief's Interactive Short Throw Mount with eBeam Technology transforms any projection-ready surface into an interactive presentation tool. Simply mount the short throw arm, install the software, connect a PC & projector, and you're ready to go!

WHY USE INTERACTIVE TECHNOLOGY?

Interactive technology is here, and is being integrated across the globe into classrooms and corporate environments. The benefits of using interactive technology are well documented, and include the following:

- Create dynamic lessons and presentations that will keep people engaged
- Motivate attendees to get involved by interacting with the content
- Enhance the learning experience and retention overall, key for people with hearing or visual impairments
- Create more streamlined, efficient presentations
- Deepen the learning experience with easy access to online resources

AWARD-WINNING TECHNOLOGY

We've combined Chief's award-winning short throw projector mount, with Luidia's award-winning interactive eBeam technology, to create a state-of-the-art, cost effective way to get interactive technology on virtually any surface.



SYSTEM OVERVIEW (WM210AUSI)

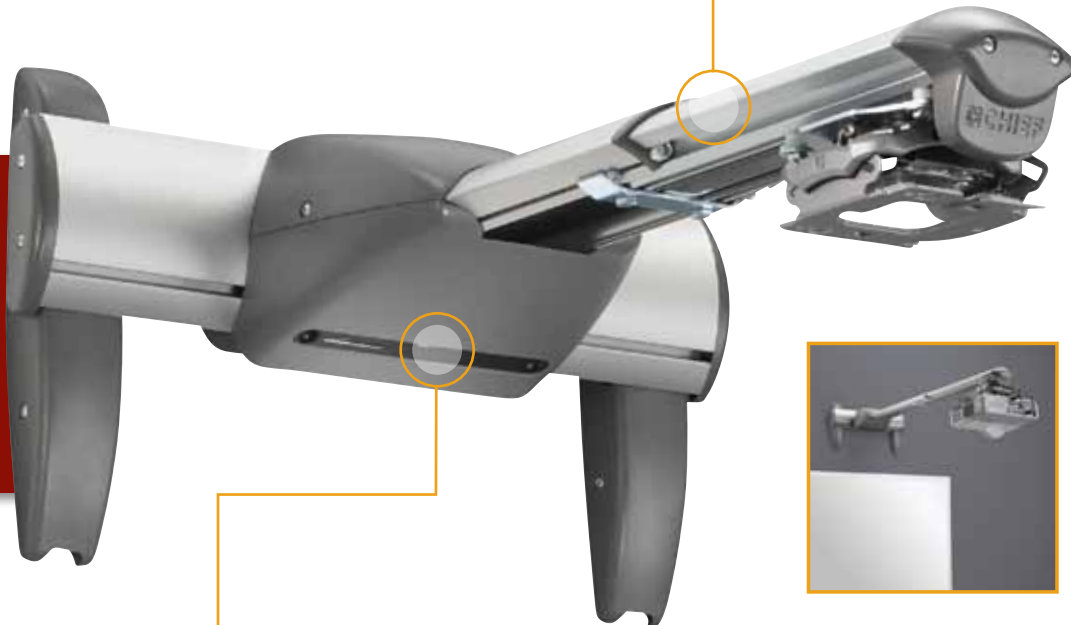


Fast Installation

Quick-connect system, variable extension, and innovative features make mount installation and registration quick and easy.

Easy Integration

Simply install eBeam's business or education software for Mac or PC, connect computer and projector and you're ready to go.



Future-Proof

Chief's award-winning short throw projector mount provides universal projector compatibility, and an easy upgrade path to better technology.



Interactive Receiver

Interactive receiver powered by eBeam Technology adds interactive functionality to any projection-ready surface, and provides up to a 48" - 94" (1.23 m-2.39 m) diagonal projected image.

WM2I Interactive Kit can be purchased separately to retrofit existing Chief WM2 short throw mounts with interactivity.



Interactive Stylus

Lightweight, ergonomic stylus provides exceptional, real-time rendering capabilities. Includes optional wrist strap.

INTERACTIVE SHORT THROW MOUNTS

WHY CHOOSE CHIEF'S INTERACTIVE SHORT THROW WITH eBEAM TECHNOLOGY?

Installation Benefits

EASE OF INSTALLATION

- Less equipment makes installation easy as the interactive technology is embedded in the mount
- Freedom and flexibility to create open, interactive spaces without whiteboards

UNIVERSAL & UPGRADEABLE

- Use with any short throw projector model
- No need for specialized whiteboards
- Simple upgrade path for existing Chief short throw installations

User Benefits

PROVEN TECHNOLOGY

- Proven, award-winning interactive technology and software
- Easy-to-use, intuitive interface
- Access to extensive resource library
- Cost-effective way to access interactive technology

FLEXIBLE

- Turns virtually any projection-ready surface into an interactive whiteboard
- Supports use of existing dry erase whiteboards

FUTURE-PROOF

- Upgradable as new projection technology is available
- Warranty of 3 years

ABOUT EBEAM TECHNOLOGY BY LUIDIA, INC.

Luidia creates interactive technology for capturing and sharing ideas. The company's portable eBeam products transform flat surfaces into interactive and collaborative workspaces. Today, eBeam technology powers an ecosystem of interactive hardware and software for education, business and government. The company is headquartered in Silicon Valley.

For more information, please visit: www.luidia.com or www.e-beam.com.



Resources:

Visit Chief's interactive web page at www.interactive.chiefmfg.com and download the following:

- Quick Setup Guide
- Product manuals
- Software downloads (including updates)
- Software requirements
- Web resource library



Quick Setup Guide



SHORT THROW MOUNTS

PROJECTOR SOLUTION

CHIEF'S SHORT THROW SERIES

Chief's award winning short throw projector mounts provide unparalleled flexibility, precision and strength. Get ideal placement and image alignment with exclusive features that provide fast and secure installations.

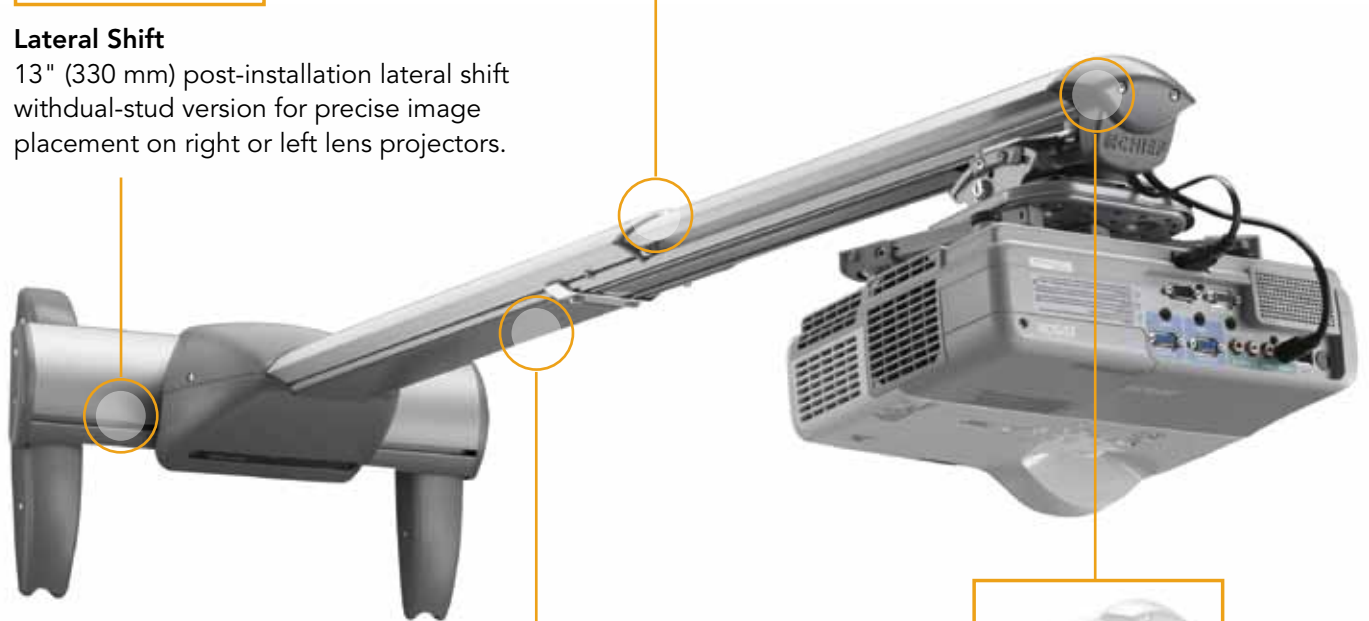


Lateral Shift

13" (330 mm) post-installation lateral shift with dual-stud version for precise image placement on right or left lens projectors.

Variable Extension

Telescoping extension up to 54" (137 cm) on select models to create the ideal image size.



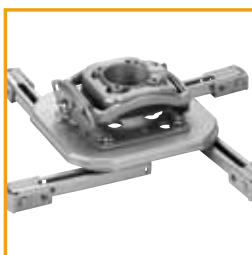
Integrated Cable Management

Fully internal cable management system conceals and protects cables for a clean finish.



Precision Height & Leveling

Industry-first micro height and leveling adjustment, $\pm 3^\circ$.



Advanced Image Alignment

Available with mini Elite projector mount, featuring precision roll, pitch and yaw alignment.



Security Options

Multiple levels of security, including All-Points™ locking hardware, and four projector mount keyed locking options (A/B/C/D).



INTERACTIVE SHORT THROW MOUNTS WITH eBEAM™ TECHNOLOGY

SPECIFICATIONS (INTERACTIVE KITS WITH PROJECTOR MOUNTS)

Wall mount kits include:

- Dual stud Short Throw Projector Wall Mount with interactive eBeam Technology
- Interactive stylus with optional wrist strap and AAA battery
- Business (PC) and Education (Mac & PC) Software
- USB cable



Model Descriptions	Extension	Pitch	Lateral Shift	Weight Capacity	Color
WM210AUSI Interactive Wall Mount Kit	0–18" (0–457 mm)	±3	13" (330 mm)	50 lbs (22.7 kg)	Silver
WM220AUSI Interactive Wall Mount Kit	18–30" (457–762 mm)	±3	13" (330 mm)	50 lbs (22.7 kg)	Silver
WM230AUSI Interactive Wall Mount Kit	30–54" (76.2–137.2 cm)	±3	13" (330 mm)	25 lbs (11.3 kg)	Silver
WM2I Interactive Upgrade Kit	–	–	–	–	Silver

For more information on these and other products from Chief, the industry leader in AV mounting solutions, visit www.chiefmfg.com.

CHIEF

■ A DIVISION OF MILESTONE AV TECHNOLOGIES ■ www.chiefmfg.com

USA ■ P 800.582.6480 / +1.952.894.6280 ■ F 877.894.6918 / +1.952.894.6918 ■ chief@chiefmfg.com

Canada ■ P 877.345.4329 ■ F 888.377.5314 ■ info@chiefmounts.ca

EMEA ■ P +31 40 23 24 700 ■ F +31 40 23 24 710 ■ europe.chief@milestone.com

Asia Pacific ■ P +852 2145 4099 ■ F +852 2145 4477 ■ asia.chief@milestone.com